

7

Parts and diagrams

Chapter contents

Chapter contents	237
Ordering parts and supplies	238
Parts	238
Related documentation and software	238
Supplies	238
Accessories	239
Assembly locations (1 of 2).....	241
Assembly locations (2 of 2).....	242
Covers.....	244
Internal assemblies.....	246
PCA assemblies.....	268

Ordering parts and supplies

Parts

Order replacement parts from the following Web sites:

h30074.www3.hp.com/csn-aux/srvcdlvry/epdo/default/ePDOLogin.asp (technicians)

h20141.www2.hp.com/hpparts (customers)

Related documentation and software

Order documentation and software from the companies listed in the following table; some documentation and software is available at the following Web sites.

Table 7-1. Technical support Web sites

HP Customer Care Online Software drivers, support documentation, and answers to frequently asked questions	www.hp.com/support
HP Technical Training (North America) Classes and schedules	education.itrc.hp.com/TrainerII/en-US/index.jsp

Supplies

Printer supplies are listed in [Table 3-1. Life expectancies of supplies](#). Consumables are available directly from HP at the following numbers.

- US: 800-538-8787
- Canada: 800-387-3154 (in Toronto: 416-671-8383)
- United Kingdom: 0734-441212
- Germany: 0130-3322

Contact your local HP Parts Coordinator for other local phone numbers.

Accessories

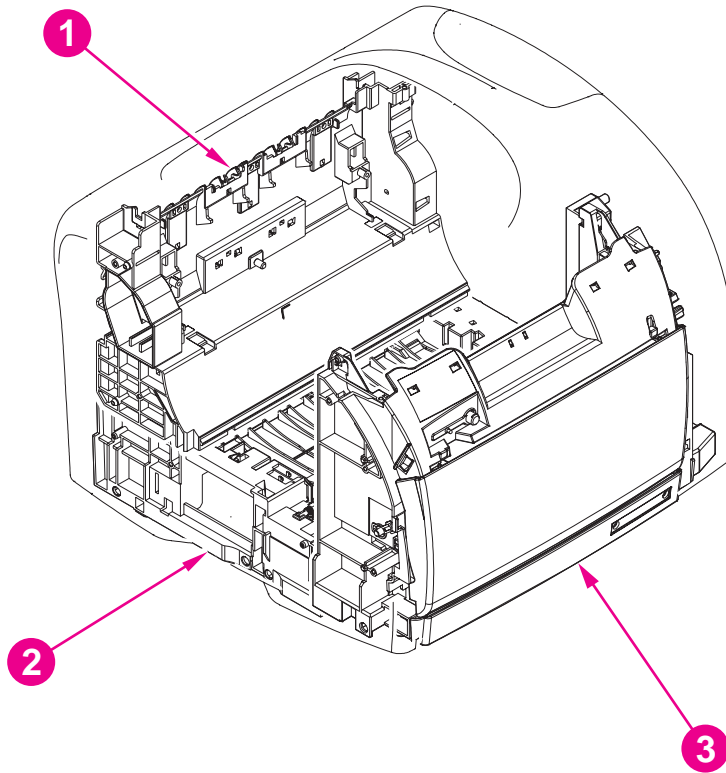
Table 7-2. Accessories

Product name	Description	Product number	Part number	Exchange number
Print cartridges				
Print cartridge	Black print cartridge	Q3960A	Q3960-67901 Q3960-67902 (EMEA)	n/a
Print cartridge	Yellow print cartridge, 2k	Q3972A	Q3972-67901 Q3972-67902 (EMEA)	n/a
Print cartridge	Yellow print cartridge, 4k	Q3962A	Q3962-67901 Q3962-67902 (EMEA)	n/a
Print cartridge	Magenta print cartridge, 2k	Q3973A	Q3973-67901 Q3973-67902 (EMEA)	n/a
Print cartridge	Magenta print cartridge, 4k	Q3963A	Q3963-67901 Q3963-67902 (EMEA)	n/a
Print cartridge	Cyan print cartridge, 2k	Q3971A	Q3971-67901 Q3971-67902 (EMEA)	n/a
Print cartridge	Cyan print cartridge, 4k	Q3961A	Q3961-67901 Q3961-67902 (EMEA)	n/a
Imaging drums				
Imaging drum	Imaging drum	Q3964A	Q3964-67901	n/a
Trays and tray accessories				
Optional 250-sheet tray	1 optional 250-sheet tray	Q3709A	Q3709-67901	n/a
Optional 500-sheet tray	1 optional 500-sheet tray	Q3710A	Q3710-67901	n/a
Tray 1 kit	1 pickup roller and 1 separation pad	C9706-67901	C9706-67901	n/a
Tray 1 kit with extra separation pads	1 pickup roller and 3 separation pads	C9706-67902	C9706-67902	n/a

Table 7-2. Accessories (continued)

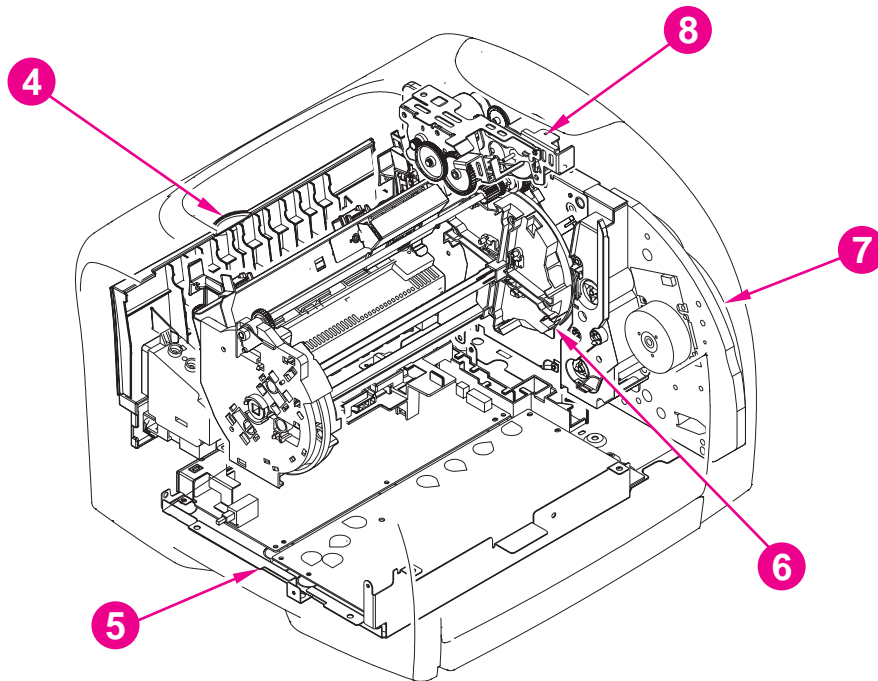
Product name	Description	Product number	Part number	Exchange number
Memory				
SDRAM DIMM	128 MB SDRAM DIMM	C9121A	C9121A	n/a
SDRAM DIMM	64 MB SDRAM DIMM	Q1887A	Q1887A	n/a
SDRAM DIMM	32 MB SDRAM DIMM	C7845A	C7845A	n/a
Cables				
Parallel cable	IEEE-1284 cable (a-b), 2-meter	C2950A	C2950A	n/a
Parallel cable	IEEE-1284 cable (a-b), 3-meter	C2951A	C2951A	n/a
USB cable	USB cable (a-b), 2-meter	C6518A	C6518A	n/a
External print servers				
External print server	HP Jetdirect 170x Ethernet, parallel connection	J3258B	J3258B	n/a
External print server	HP Jetdirect 175x Ethernet/Fast Ethernet, USB connection	J6035C	J6035C	n/a
External print server	HP Jetdirect 300x Ethernet/Fast Ethernet, parallel connection	J3263A	J3263A	n/a
External print server	HP Jetdirect 500x Ethernet/Fast Ethernet, parallel connection	J3265A	J3265A	n/a
External print server	HP Jetdirect en3700 Fast Ethernet, Hi-Speed USB 2.0 connection	J7942A	J7942A	n/a
External print server	HP Jetdirect 380 x 802.11b wireless, USB connection	J6061A	J6061A	n/a

Assembly locations (1 of 2)



Ref.	Description	Part number
1	Rear frame assembly	See Table 7-3. Covers
2	Middle frame assembly	See Table 7-9. Middle frame assembly
3	Front frame assembly	See Table 7-4. Front frame assembly

Assembly locations (2 of 2)



Ref.	Description	Part number
4	Fuser, 110-127 V	RG5-7572-000CN
4	Fuser, 220-240 V	RG4-7573-000CN
5	Power-supply base assembly	See Table 7-11. Power-supply base assembly
6	Rotary assembly	RG5-7587-000CN
7	Main drive assembly	RG5-7579-000CN
8	Rotary drive assembly	RG5-7592-000CN

Covers

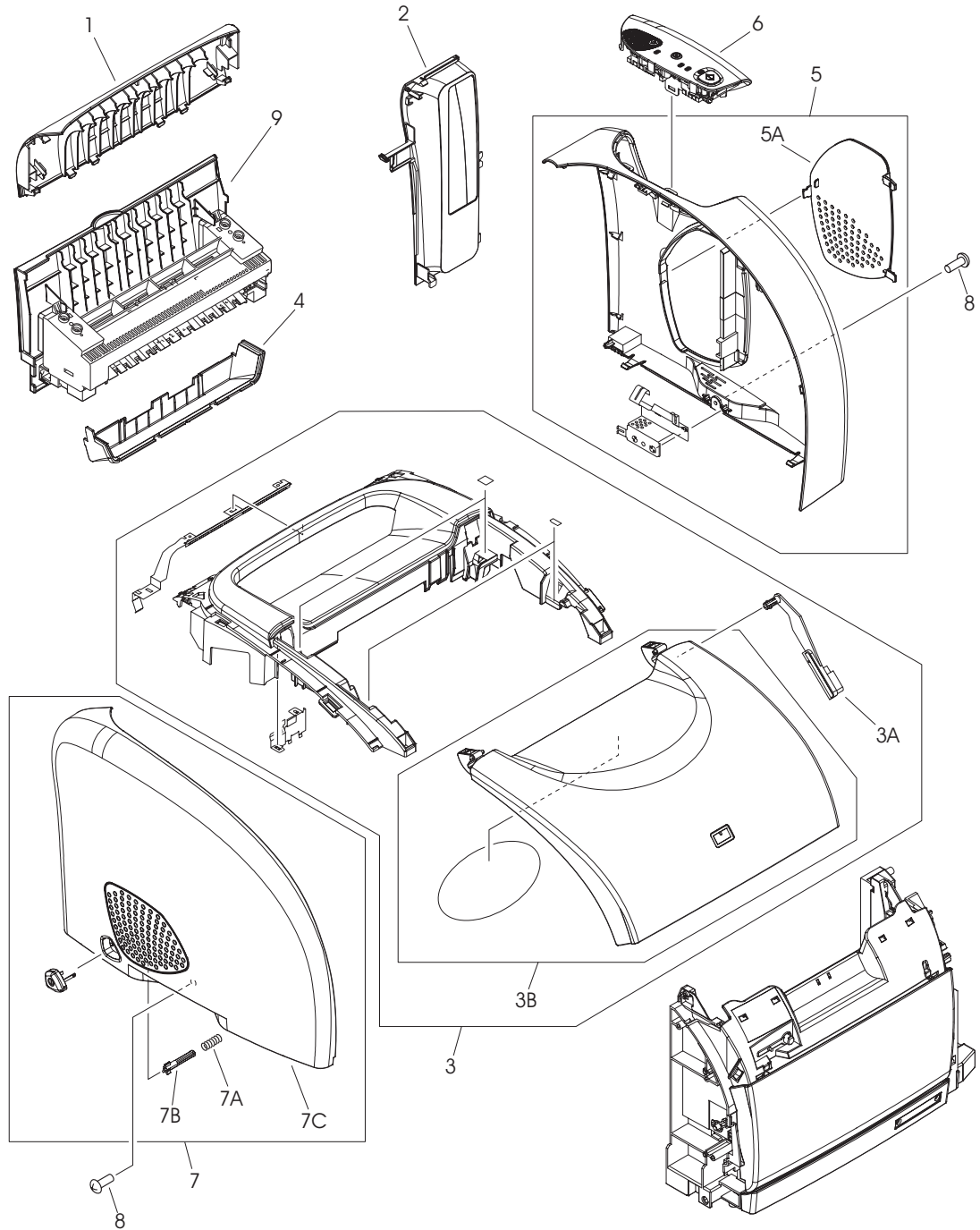


Figure 7-1. Covers

Table 7-3. Covers

Ref	Description	Part number	Qty
1	Cover, rear	RB9-0880-000CN	1
2	Cover, interface	RB3-1112-000CN	1
3	Cover, top (assembly)	RG5-7567-000CN	1
3A	Cover, rack	RB3-0089-000CN	1
3B	Top door	RF5-4069-000CN	1
4	Cover, top output bin	RB9-0881-000CN	1
5	Cover, right side (assembly)	RG5-7569-000CN	1
5A	DIMM door	RB9-0884-000CN	1
6	Control panel assembly	RG5-7570-000CN	1
7	Cover, left side (assembly)	RG5-7571-000CN	1
7A	Spring, on/off switch	RS6-2759-000CN	1
7B	Rod, on/off switch	RB3-0037-000CN	1
7C	Cover, left	RB9-0886-000CN	1
8	Screw, RS, M3x8	XA9-1291-000CN	3
9	Fuser, 110-127 V	RG5-7572-000CN	1
9	Fuser, 220-240 V	RG5-7573-000CN	1

Internal assemblies

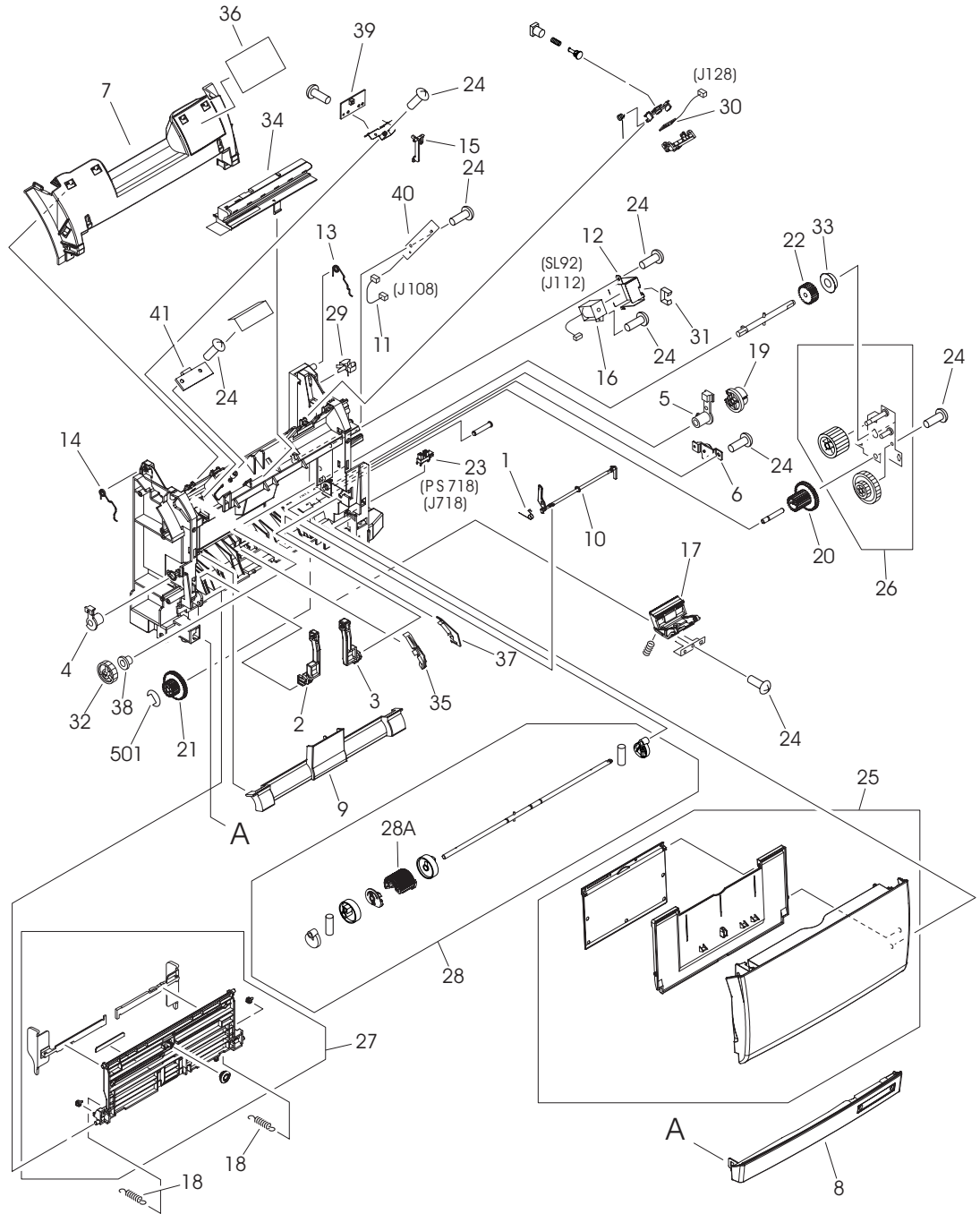


Figure 7-2. Front frame assembly

Table 7-4. Front frame assembly

Ref	Description	Part number	Qty
1	Spring, tray 1 flag	RB2-9952-000CN	1
2	Hinge, left, tray 1	RB9-0889-000CN	1
3	Hinge, right, tray 1	RB9-0890-000CN	1
4	Bushing, left	RB2-3043-000CN	1
5	Bushing, right	RB2-3044-000CN	1
6	Damper	RB2-6248-000CN	1
7	Front cover	RB3-1108-000CN	1
8	Front lower cover	RB9-0897-000CN	1
9	Roller cover	RB3-0104-000CN	1
10	Flag, tray 1 sensor	RB3-0111-000CN	1
11	Cable, waste toner sensor	RG5-7624-000CN	1
12	Cover, solenoid (SL92)	RB3-0120-000CN	1
13	Spring, right	RB3-0121-000CN	1
14	Spring, left	RB3-0122-000CN	1
15	Flag, switch	RB3-0135-000CN	1
16	Solenoid (SL92)	RH7-5338-000CN	1
17	Separation pad assembly	RF5-4012-000CN	1
18	Spring, tray 1 guide	RS6-2030-000CN	2
19	Gear, 26T	RS7-0418-000CN	1
20	Gear, 20T/40T	RS7-0424-000CN	1
21	Gear, 26T/50T	RS7-0426-000CN	1
22	Gear, 26T	RS7-0429-000CN	1
23	Sensor (PS718)	WG8-5382-000CN	1
24	Screw, M4x10	XA9-1262-000CN	11
25	Tray 1 assembly	RG5-7585-000CN	1
26	Gear assembly	RG5-6938-000CN	1
27	Tray 1 guide assembly	RG5-7584-000CN	1
28	Tray 1 pickup assembly	RG5-6952-000CN	1
28A	Pickup roller, tray 1	RB3-0160-000CN	1
29	Clamp, cable	WT2-5700-000CN	2
30	E-label reader PCA	RG5-6956-000CN	1
31	Clip, cable	WT2-5056-000CN	1

Table 7-4. Front frame assembly (continued)

Ref	Description	Part number	Qty
32	Gear, 30T	RS7-0425-000CN	1
33	Bushing, gear assembly	RS5-1635-000CN	1
34	Pad, light-blocking	RF5-4047-000CN	1
35	Guide, left, paper feed	RB2-9954-000CN	1
36	Label, image cartridge	RS6-8662-000CN	1
37	Guide, right, paper feed	RB2-9955-000CN	1
38	Bushing	RS5-1638-000CN	1
39	Sensor, top-of-page	RG5-6966-000CN	1
40	Sensor, waste toner	RG5-7607-000CN	1
41	Sensor, density	RH7-7146-000CN	1
501	E-ring	XD2-1100-502CN	2

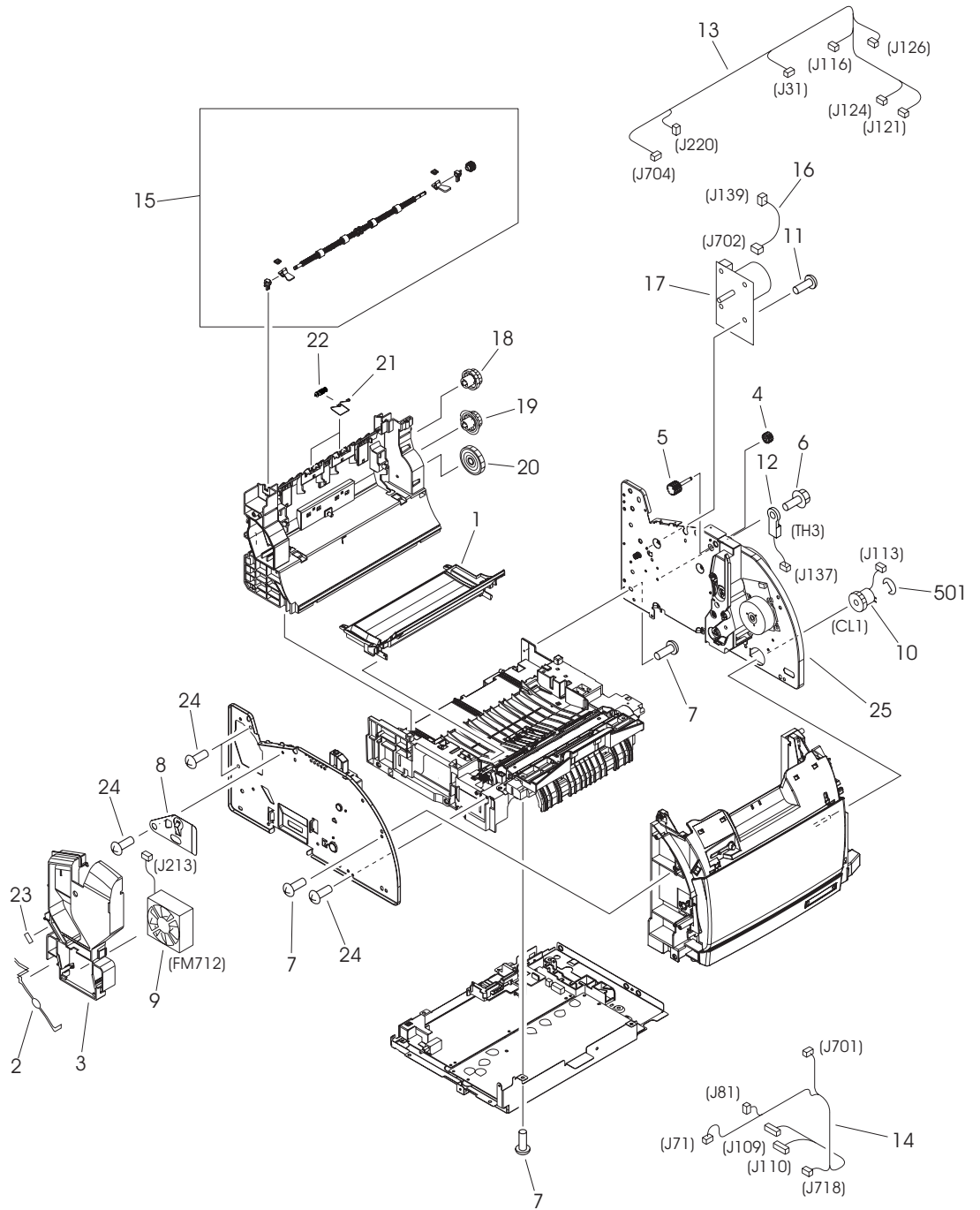


Figure 7-3. Internal components (1 of 2)

Table 7-5. Internal components (1 of 2)

Ref	Description	Part number	Qty
1	Toner-catch tray	RB3-0019-000CN	1
2	RFI shield	RB2-9932-000CN	1
3	Air duct	RB9-0901-000CN	1
4	Gear, 18T	RB3-0091-000CN	1
5	Gear, 15T	RB3-0092-000CN	1
6	Screw, M3x8	XA9-1355-000CN	1
7	Screw, M4x10	XA9-1262-000CN	31
8	Plate, swing shaft, grounding	RB3-1113-000CN	1
9	Fan (FM712)	RH7-1537-000CN	1
10	Clutch (CL1)	RH7-5366-000CN	1
11	Screw, M3x10	XA9-1328-000CN	4
12	Thermistor (TH3)	RH7-7149-000CN	1
13	Cable, upper	RG5-7622-000CN	1
14	Cable, front	RG5-7145-000CN	1
15	Roller assembly, upper, top output bin	RG5-6897-000CN	1
16	Cable, fuser motor	RG5-7620-000CN	1
17	Motor, dc, 24 V	RH7-1613-000CN	1
18	Gear, 32T/37T	RS7-0435-000CN	1
19	Gear, 37T/43T	RS7-0436-000CN	1
20	Gear, 51T	RS7-0437-000CN	1
21	Spring, torsion	RB2-9905-000CN	2
22	Roller, small, top output bin	RF5-4068-000CN	1
23	Label, caution	RS6-8668-000CN	1
24	Screw, RS, M3x6	XA9-0849-000CN	5
25	Main drive assembly	RG5-7579-000CN	1
501	E-ring	XD2-1100-322CN	1

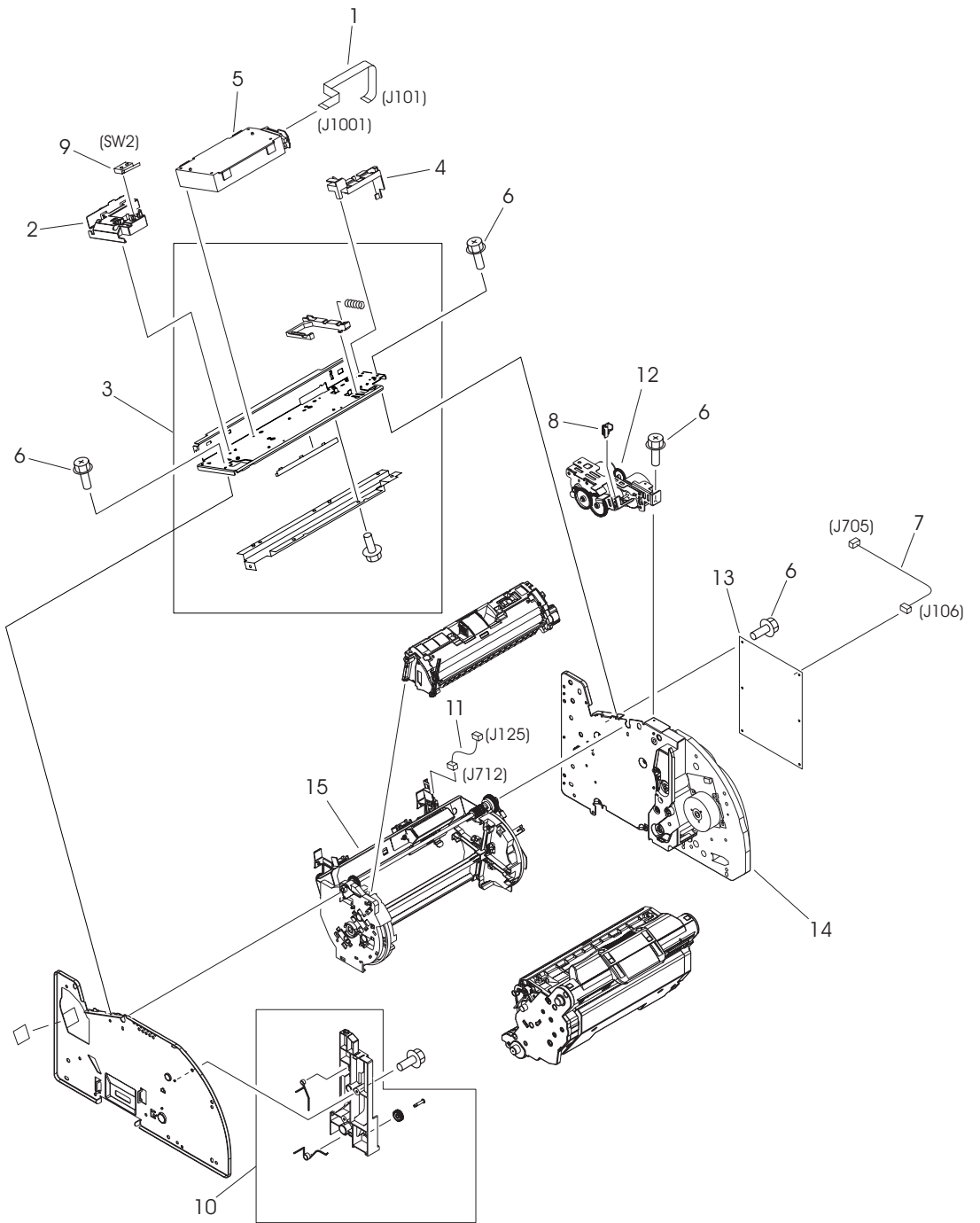


Figure 7-4. Internal components (2 of 2)

Table 7-6. Internal components (2 of 2)

Ref	Description	Part number	Qty
1	Cable, flat, flexible, laser/scanner	RH2-5524-000CN	1
2	Holder, interlock switch	RB3-0023-000CN	1
3	Top plate	RG5-6907-000CN	1
4	Cable guide	RB2-9903-000CN	1
5	Laser/scanner	RG5-6880-000CN	1
6	Screw, M3x6	XA9-0849-000CN	18
7	Cable, motor	RG5-7114-000CN	1
8	Guide, rotary release	RB2-9852-000CN	1
9	Switch, interlock	RH7-6051-000CN	1
10	Cartridge guide assembly	RG5-6935-000CN	1
11	Cable, sensor	RG5-7117-000CN	1
12	Rotary drive assembly	RG5-7592-000CN	1
13	Dc Controller	RG5-7605-000CN	1
14	Main drive assembly	RG5-7579-000CN	1
15	Rotary assembly	RG5-7587-000CN	1

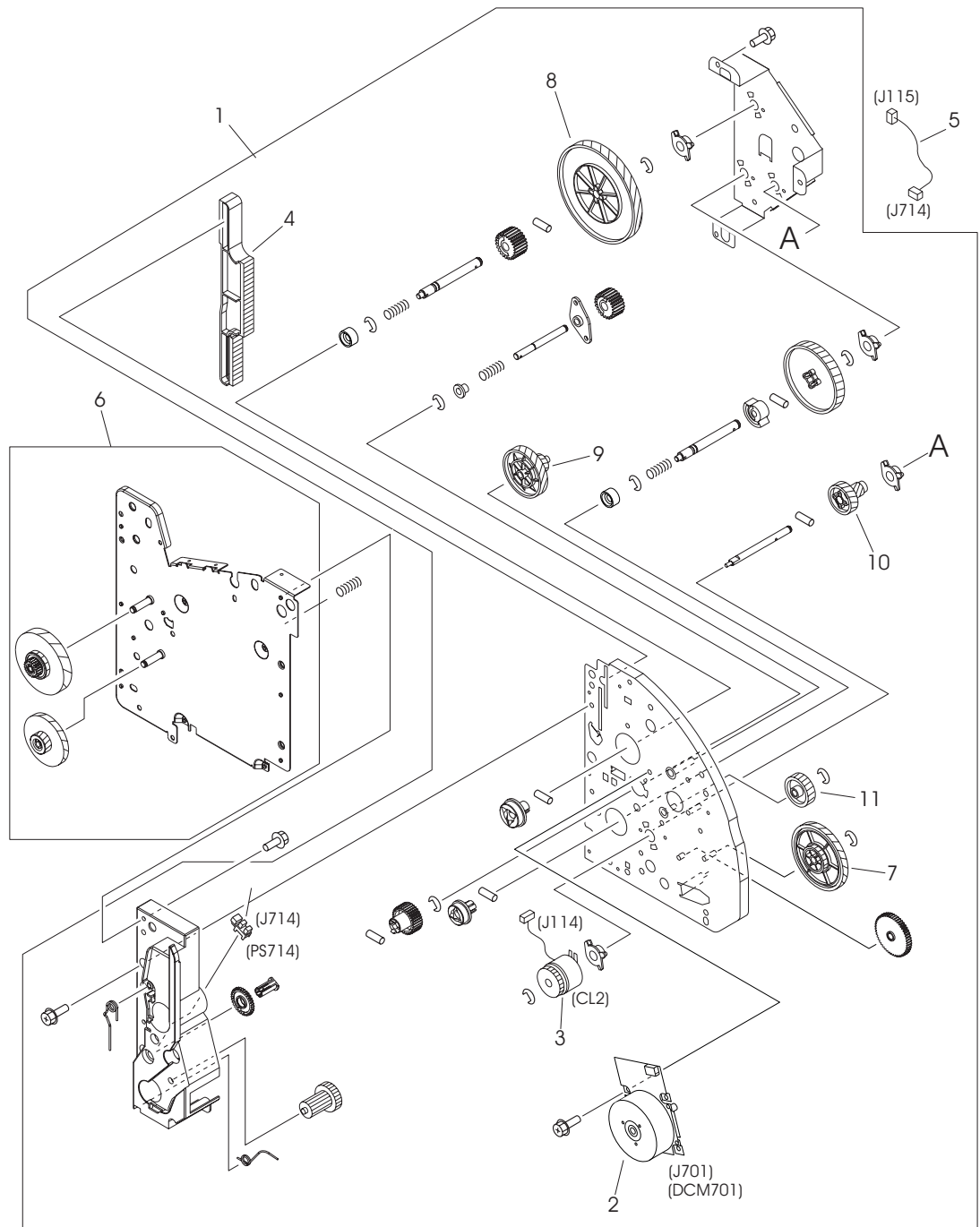


Figure 7-5. Main drive assembly

Table 7-7. Main drive assembly

Ref	Description	Part number	Qty
	Main drive assembly	RG5-7579-000CN	1
1	Right side plate front assembly	RG5-7581-000CN	1
2	Gear train motor	RF5-4063-000CN	1
3	Clutch, main gear train (CL2)	RH7-5335-000CN	1
4	Rack	RB3-0090-000CN	1
5	Cable, transfer sensor (2nd)	RG5-7115-000CN	1
6	Right side plate rear assembly	RG5-7580-000CN	1
7	Gear, 32T/123T	RS7-0574-000CN	1
8	Gear, 186T	RS7-0573-000CN	1
9	Gear, 31T/90T	RS7-0572-000CN	1
10	Gear, 23T/54T	RS7-0571-000CN	1
11	Gear, 81T	RS7-0570-000CN	1

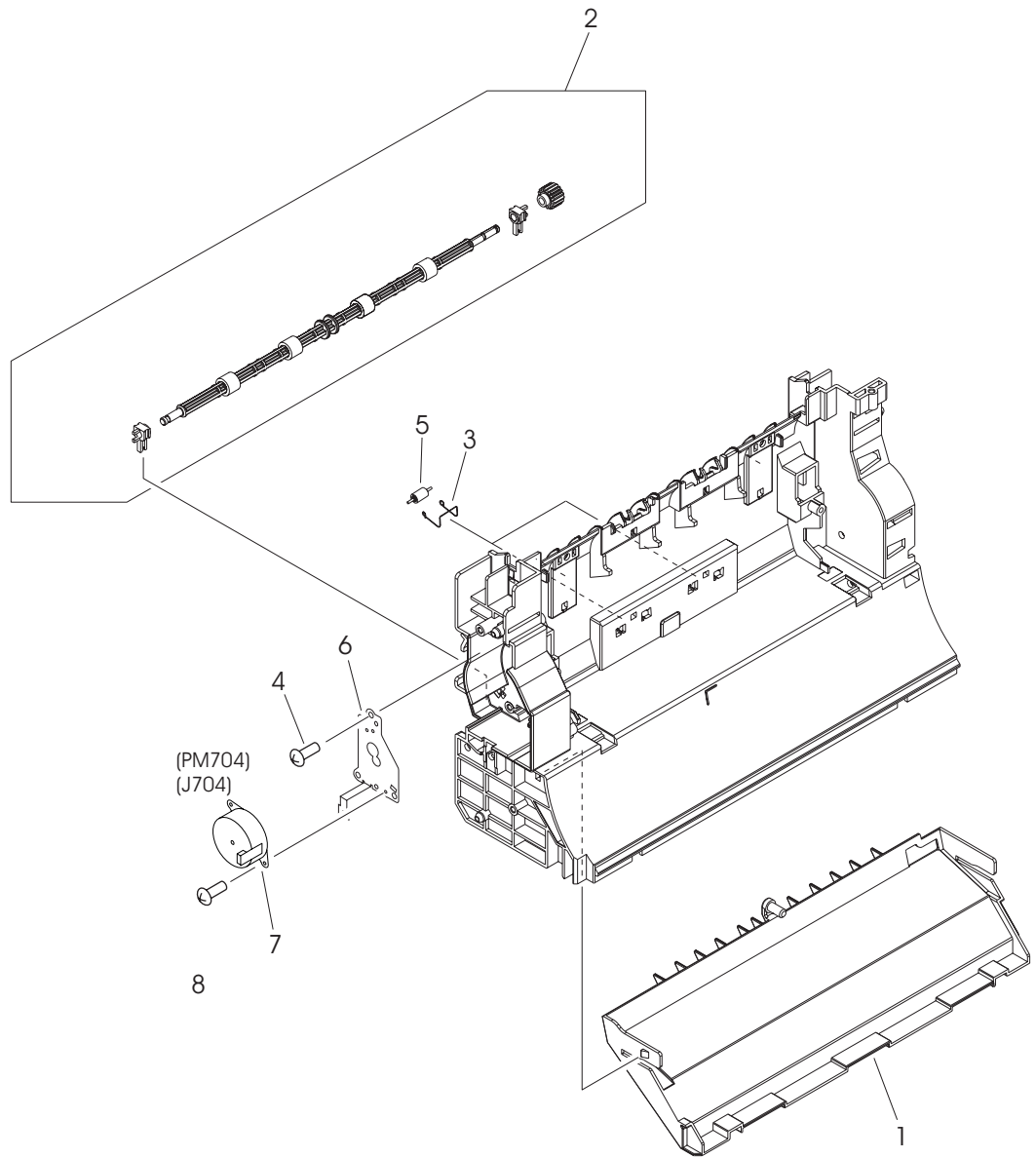


Figure 7-6. Rear frame assembly

Table 7-8. Rear frame assembly

Ref	Description	Part number	Qty
1	Fuser duct	RB2-9904-000CN	1
2	Roller, lower, top output bin	RG5-7595-000CN	1
3	Spring, left	RB3-1065-000CN	2
4	Screw, M4x10	XA9-1262-000CN	3
5	Roller, lower, top output bin, small	RB2-9909-000CN	2
6	Cover, fuser motor	RB2-9916-000CN	1
7	Motor, dc, 24 V	RH7-1533-000CN	1
8	Screw, RS, M3x6	XA9-0849-000CN	2

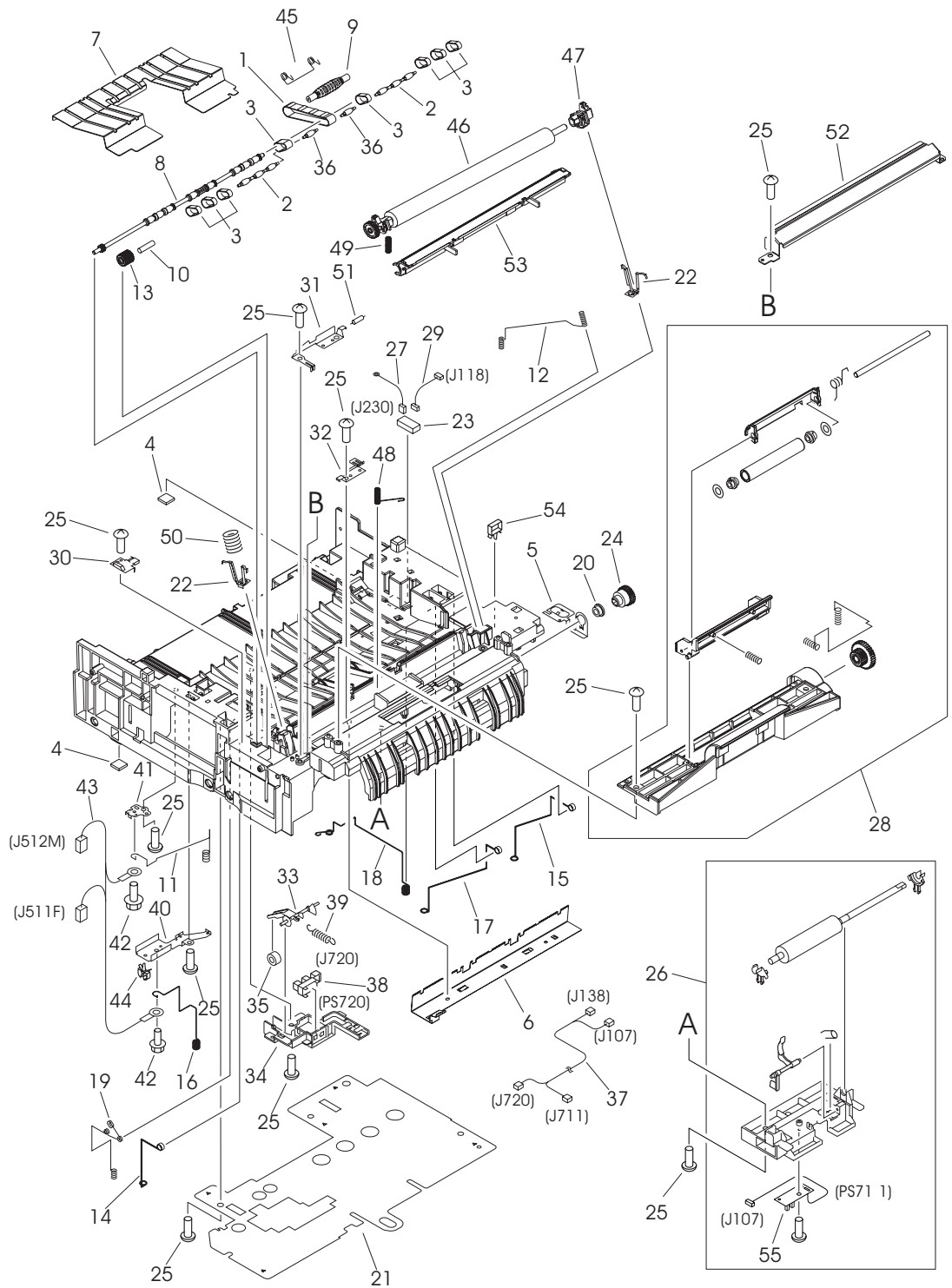


Figure 7-7. Middle frame assembly

Table 7-9. Middle frame assembly

Ref	Description	Part number	Qty
1	Timing belt	RB1-8668-030CN	1
2	Pulley	RB3-0061-000CN	2
3	Feed belt	RB3-0063-000CN	8
4	Rubber foot	RB2-6297-000CN	2
5	Grounding plate	RB3-0286-000CN	1
6	Static charge eliminator plate	RB3-0009-000CN	1
7	Feed plate	RB3-0010-000CN	1
8	Shaft, feed drive	RB3-0011-000CN	1
9	Roller, belt	RB3-0012-000CN	1
10	Shaft, idler gear	RB3-0060-000CN	1
11	Spring	RB3-0045-000CN	1
12	Spring	RB3-0016-000CN	1
13	Gear, idler, 23T	RB3-0022-000CN	1
14	Spring	RB3-0042-000CN	1
15	Spring	RB3-0043-000CN	1
16	Spring	RB3-0044-000CN	1
17	Spring	RB3-0046-000CN	1
18	Spring	RB3-0047-000CN	1
19	Spring	RB3-0048-000CN	1
20	Bushing	RS5-1637-000CN	1
21	Insulating sheet	RB3-1110-000CN	1
22	Transfer slide plate	RB3-0057-000CN	2
23	Connector, optional trays	RH2-5519-000CN	1
24	Gear, 30T	RS7-0428-000CN	1
25	Screw, M4x10	XA9-1262-000CN	13
26	Registration roller assembly	RG5-6939-000CN	1
27	Cable, grounding	RG5-7123-000CN	1
28	Registration shutter assembly	RG5-6940-000CN	1
29	Cable, interface	RG5-7122-000CN	1
30	Cover, gear	RB3-0052-000CN	1
31	Grounding spring	RB3-0065-000CN	1
32	Grounding spring	RB3-0066-000CN	1

Table 7-9. Middle frame assembly (continued)

Ref	Description	Part number	Qty
33	Flag, transfer sensor	RB2-9925-000CN	1
34	Holder, transfer sensor	RB2-9924-000CN	1
35	Roller, transfer sensor	RB2-7195-000CN	1
36	Pulley	RB3-0067-000CN	2
37	Cable	RG5-7128-000CN	1
38	Sensor, transfer (PS720)	WG8-5382-000CN	1
39	Spring	RS6-2766-000CN	1
40	Mount, terminal	RB2-9850-000CN	1
41	Mount, antenna contact	RB2-9851-000CN	1
42	Screw, RS, M3x6	XA9-0890-000CN	2
43	Cable, high-voltage transformer	RG5-7130-000CN	1
44	Clamp, cable	WT2-5700-000CN	1
45	Spring	RB2-9999-000CN	1
46	Roller, transfer	RF5-4067-000CN	1
47	Bushing	RB3-1094-000CN	1
48	Spring	RB3-1091-000CN	1
49	Spring	RB3-1092-000CN	1
50	Spring	RB3-0015-000CN	1
51	Resistor	RH5-3115-000CN	1
52	Guide, transfer inlet	RB3-1088-000CN	1
53	Entrance guide	RF5-4065-000CN	1
54	Clip, cable	WT2-5737-000CN	1
55	Registration sensor	RG5-6967-000CN	1

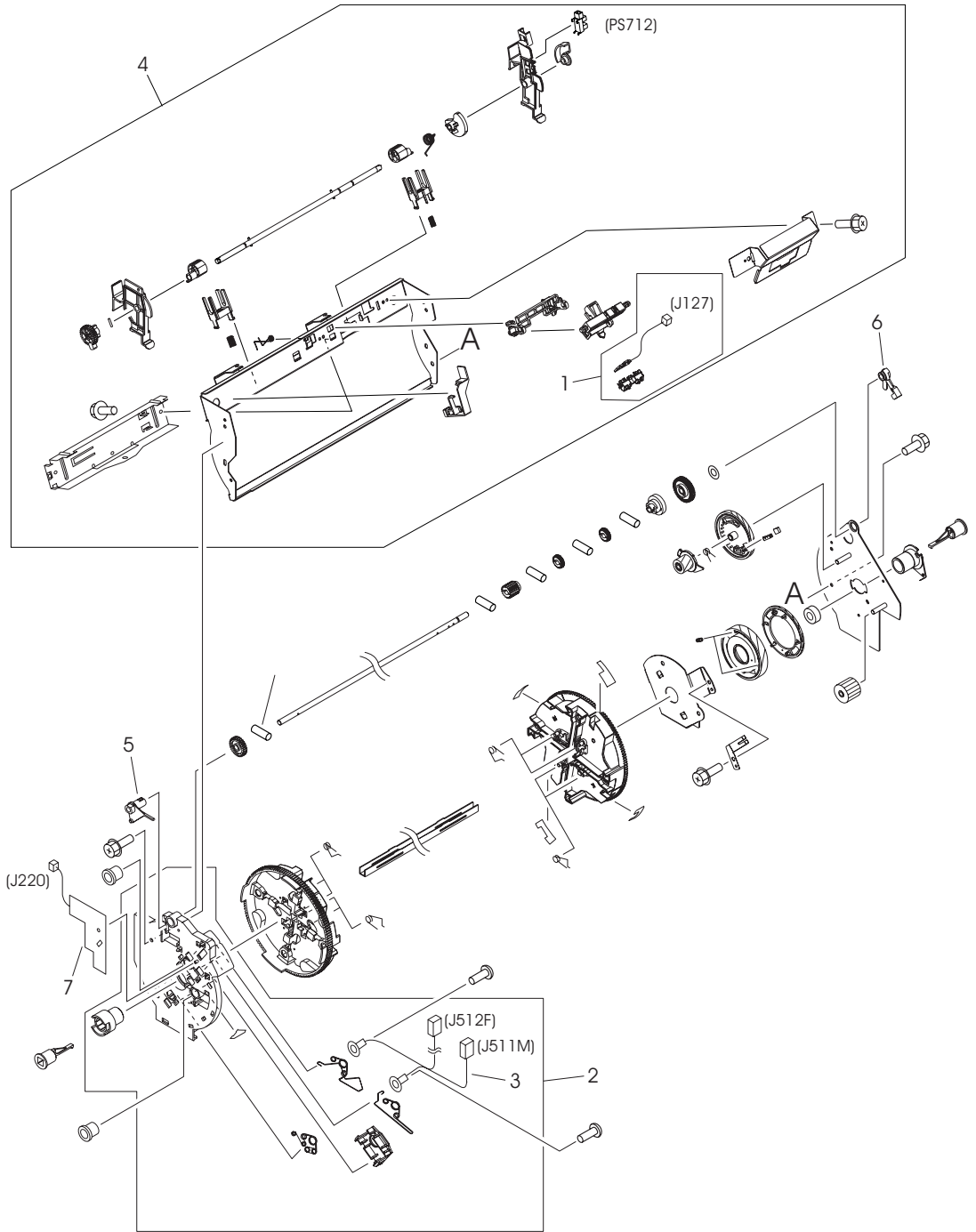


Figure 7-8. Rotary (carousel) assembly

Table 7-10. Rotary assembly

Ref	Description	Part number	Qty
	Rotary (carousel) assembly	RG5-7587-000CN	1
1	Contact assembly, E-label reader	RG5-6957-000CN	1
2	Rotary plate assembly, left	RG5-6942-000CN	1
3	Cable, rotary assembly	RG5-7129-000CN	1
4	Rotary pressure assembly	RG5-7589-000CN	1
5	Carousel lock, left (white)	RB2-9809-000CN	1
6	Carousel lock, right (black)	RB9-0879-000CN	1
7	Toner-sensor PCA	RG5-6964-000CN	1

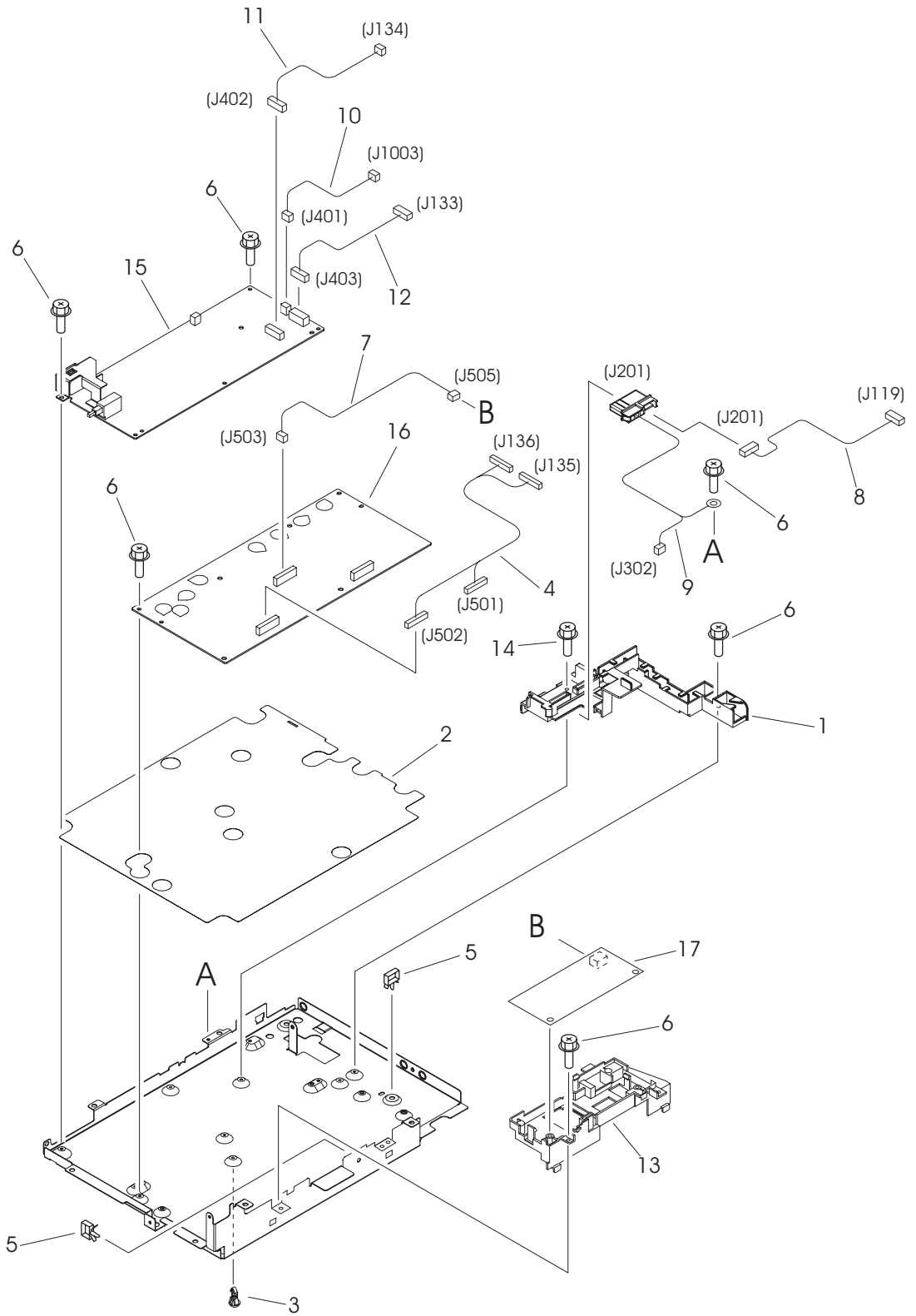


Figure 7-9. Power-supply base assembly

Table 7-11. Power-supply base assembly

Ref	Description	Part number	Qty
1	Holder, fuser connector	RB3-0006-000CN	1
2	Insulating sheet	RB3-0007-000CN	1
3	Support, high-voltage PCA	VT2-0012-005CN	6
4	Cable, high-voltage transformer	RG5-7146-000CN	1
5	Clip, cable	WT2-5737-000CN	2
6	Screw, M3x8	XA9-1355-000CN	9
7	Cable, sub-high-voltage transformer	RG5-7126-000CN	1
8	Cable, fuser connector, dc controller	RG5-7109-000CN	1
9	Cable, fuser, power	RG5-6971-000CN	1
10	Cable, formatter, power	RG5-7106-000CN	1
11	Cable, power (1)	RG5-7621-000CN	1
12	Cable, power (2)	RG5-7108-000CN	1
13	Holder, high-voltage	RB3-0062-000CN	1
14	Screw, M3x8	XA9-1291-000CN	4
15	Low-voltage PCA, 110-127 V	RH3-2254-000CN	1
15	Low-voltage PCA, 220-240 V	RH3-2255-000CN	1
16	High-voltage transformer PCA	RG5-7606-000CN	1
17	Sub-high-voltage transformer PCA	RG5-7124-000CN	1

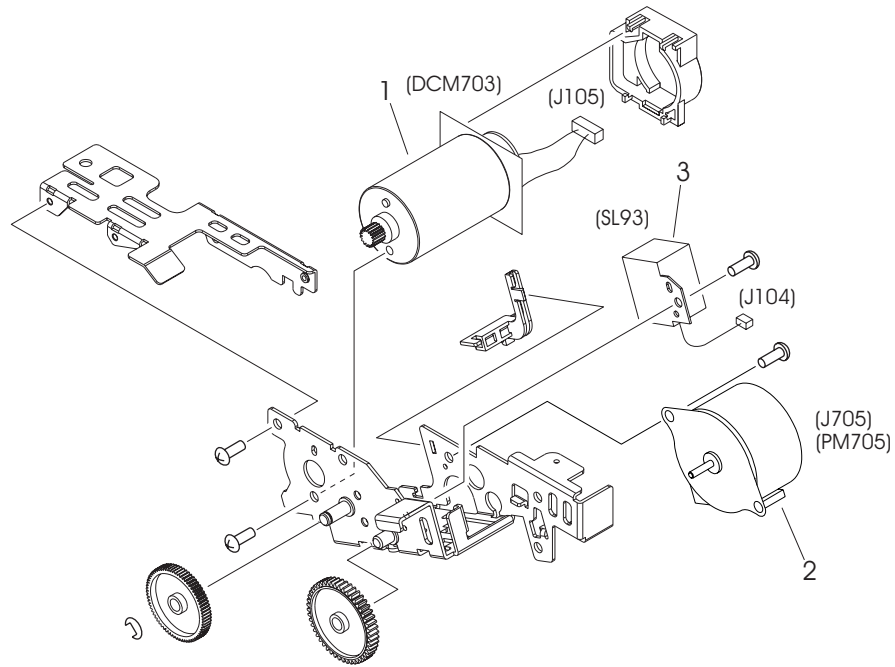


Figure 7-10. Rotary-drive assembly

Table 7-12. Rotary-drive assembly

Ref	Description	Part number	Qty
	Rotary drive assembly	RG5-7592-000CN	1
1	Motor (DCM703)	RG5-7593-000CN	1
2	Motor (PM705)	RH7-1535-000CN	1
3	Solenoid (SL93)	RH7-5340-000CN	1

PCA assemblies

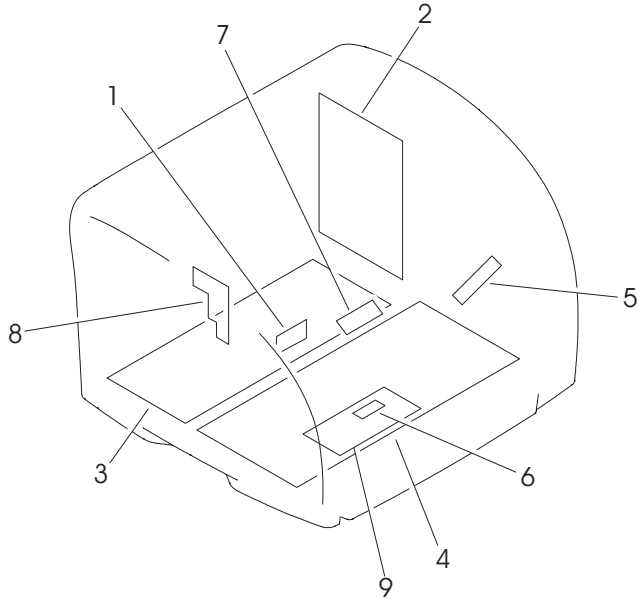


Figure 7-11. PCA assemblies

Table 7-13. PCA assemblies

Ref	Description	Part number	Qty
1	Top-of-page sensor PCA	RG5-6966-000CN	1
2	Dc controller	RG5-7605-000CN	1
3	Low-voltage PCA, 110-127 V	RH3-2254-000CN	1
3	Low-voltage PCA, 220-240 V	RH3-2255-000CN	1
4	High-voltage transformer PCA	RG5-7606-000CN	1
5	Waste-toner sensor PCA	RG5-7607-000CN	1
6	Registration-sensor PCA	RG5-6967-000CN	1
7	Density-sensor PCA	RH7-7146-000CN	1
8	Toner-sensor PCA	RG5-6964-000CN	1
9	Sub-high-voltage transformer PCA	RG5-7124-000CN	1
	Formatter, HP color LaserJet 2550L printer	Q3702-67901	
	Formatter (includes network card), HP color LaserJet 2550Ln printer and HP color LaserJet 2550n printer	Q3703-67901	